

Bimetal thermometer

Standard version

Model A50

WIKA data sheet TM 50.03



for further approvals
see page 4

Applications

- Heating systems
- Hot water tanks
- Solar collectors

Special features

- Accuracy class 2 per EN 13190
- Nominal size 63, 80, 100 and 160
- Scale ranges from -30 ... +200 °C



Bimetal thermometer, model A50.20

Description

The model A50 bimetal thermometer is used mainly in heating, air-conditioning, ventilation and refrigeration technology and is suitable for a scale range up to 200 °C.

The bimetal thermometers are mounted into the respective application with screw-in thermowells. On the one hand, this protects the instrument, on the other hand, the measuring instrument can be exchanged without having to disrupt the process.

Specifications

Measuring element

Bimetal coil

Nominal size in mm

63, 80, 100 and 160

Connection design

Removable thermowell with retainer screw

Model overview

Model	NS	Connection location
A50.10, A50.20	63	Back mount
	80	
	100	
A50.10	160	

Scale ranges

Scale range in °C	Scale spacing in °C
-30 ... +50	1
-20 ... +60	1
-10 ... +50	1
0 ... 60	1
0 ... 80	1
0 ... 120	2
0 ... 160	2
0 ... 200	5

other scale ranges on request

Connection

Thermowell G ½ B, copper alloy

Stem

Model A50.10: Ø 9 mm, aluminium
from 160 °C or $l_1 > 200$ mm: copper alloy

Model A50.20: Ø 9 mm, copper alloy
Option: Ø 7 mm, copper alloy

Accuracy class

Class 2 per EN 13190

Case

Model A50.10: Aluminium

Model A50.20: Steel, galvanised

Thermowell

Length $l_1 = 40, 60, 100, 160, 200, 250, 300$ mm

Copper alloy

Dial

Model A50.10: Aluminium, white, black lettering

Model A50.20: Plastic, white, black lettering

Pointer

≤ 120 °C: plastic, black

> 120 °C: aluminium, black

Window

SAN

Zero adjustment

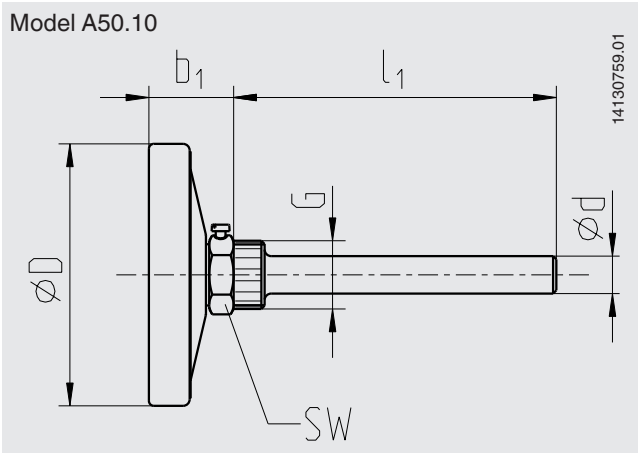
At bottom of stem

Permissible operating pressure at thermowell

Max. 6 bar

Dimensions in mm

Model A50.10

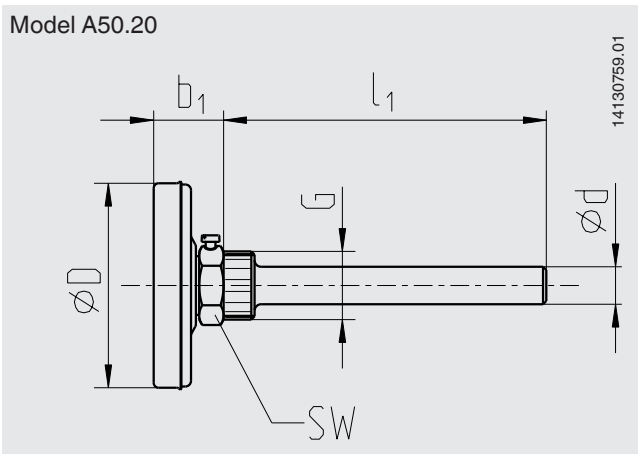


In addition, see the 3D data on the product details page at www.wika.com

NS	Dimensions in mm						Weight in kg
	b ₁	Ø d	Ø D	G	l ₁	SW	
63	24	11.5 ¹⁾	63	G ½ B	40, 60, 100, 160, 200, 250, 300	21	0.08
80	27	11.5 ¹⁾	80	G ½ B	40, 60, 100, 160, 200, 250, 300	21	0.10
100	30	11.5 ¹⁾	100	G ½ B	40, 60, 100, 160, 200, 250, 300	21	0.13
160	32	11.5 ¹⁾	160	G ½ B	40, 60, 100, 160, 200, 250, 300	21	0.28

1) Ø d = 11 for l₁ > 100 thermowell length

Model A50.20








In addition, see the 3D data on the product details page at www.wika.com

NS	Dimensions in mm						Weight in kg
	b ₁	Ø d	Ø D	G	l ₁	SW	
63	20	11.5 ¹⁾	63	G ½ B	40, 60, 100, 160, 200, 250, 300	21	0.09
80	22	11.5 ¹⁾	80	G ½ B	40, 60, 100, 160, 200, 250, 300	21	0.12
100	24	11.5 ¹⁾	100	G ½ B	40, 60, 100, 160, 200, 250, 300	21	0.17

1) Ø d = 11 for l₁ > 100 thermowell length

Approvals

Logo	Description	Country
	GOST (option) Metrology, measurement technology	Russia
	KazInMetr (option) Metrology, measurement technology	Kazakhstan
-	MTSCHS (option) Permission for commissioning	Kazakhstan
	BelGIM (option) Metrology, measurement technology	Belarus
	UkrSEPRO (option) Metrology, measurement technology	Ukraine
	Uzstandard (option) Metrology, measurement technology	Uzbekistan
-	CRN (option) Safety (e.g. electr. safety, overpressure, ...)	Canada

Certificates (option)

2.2 test report

Approvals and certificates, see website

Ordering information

Model / Nominal size / Scale range / Connection / Length l or l₁ / Options

© 06/2008 WIKA Alexander Wiegand SE & Co. KG, all rights reserved.
The specifications given in this document represent the state of engineering at the time of publishing.
We reserve the right to make modifications to the specifications and materials.

